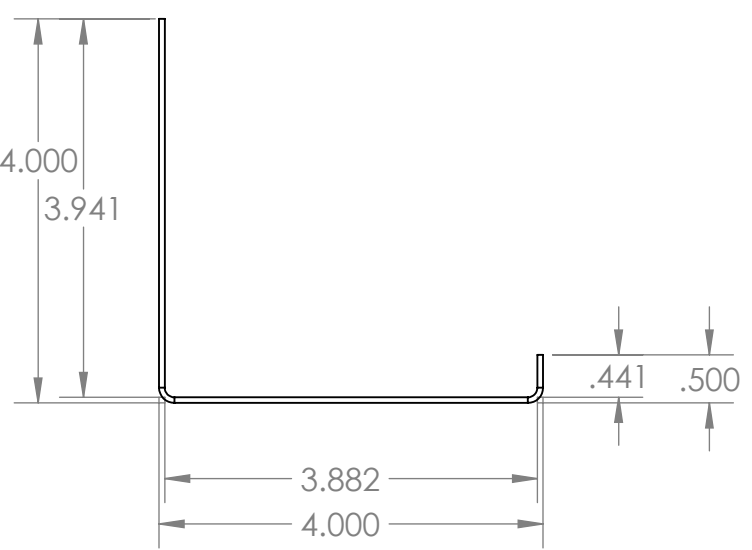
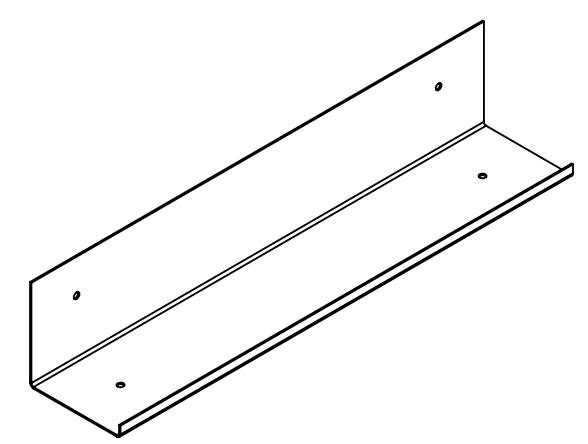
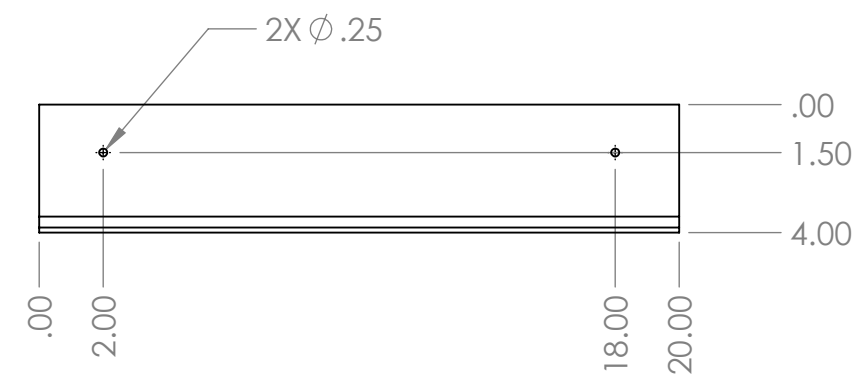
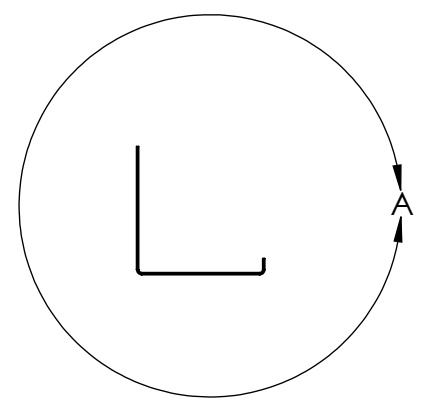
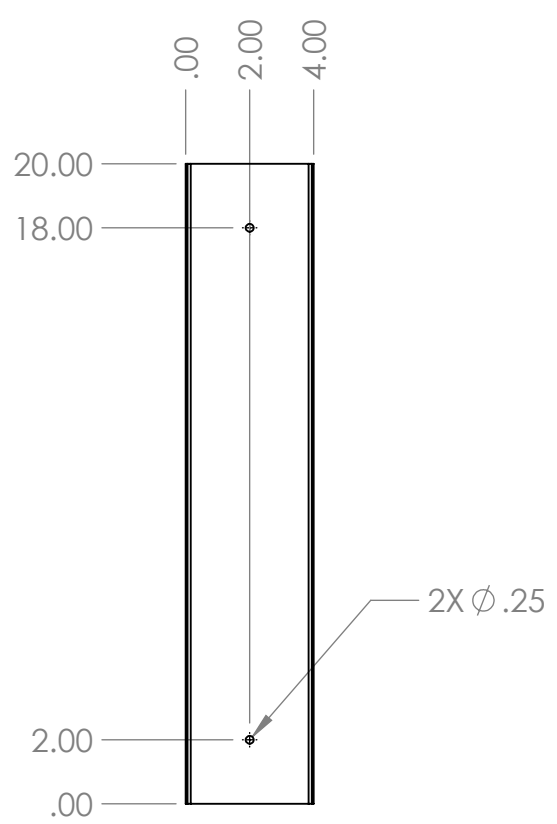



8 7 6 5 4 3 2 1

D  
C  
B  
A



DETAIL A  
SCALE 1 : 2



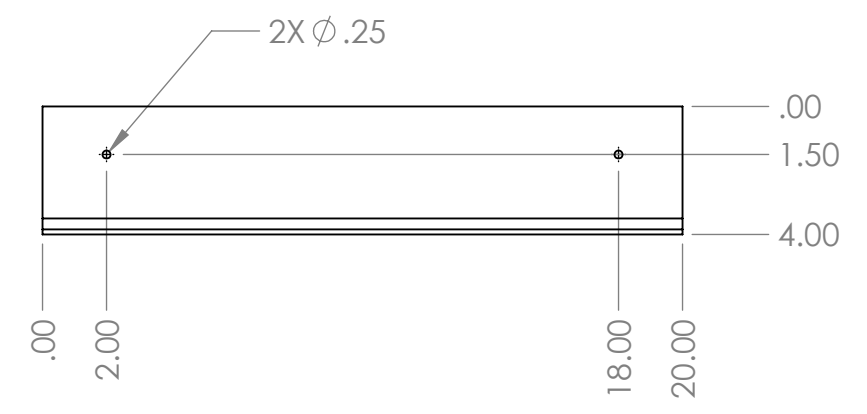
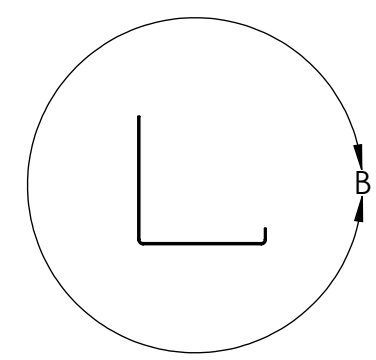
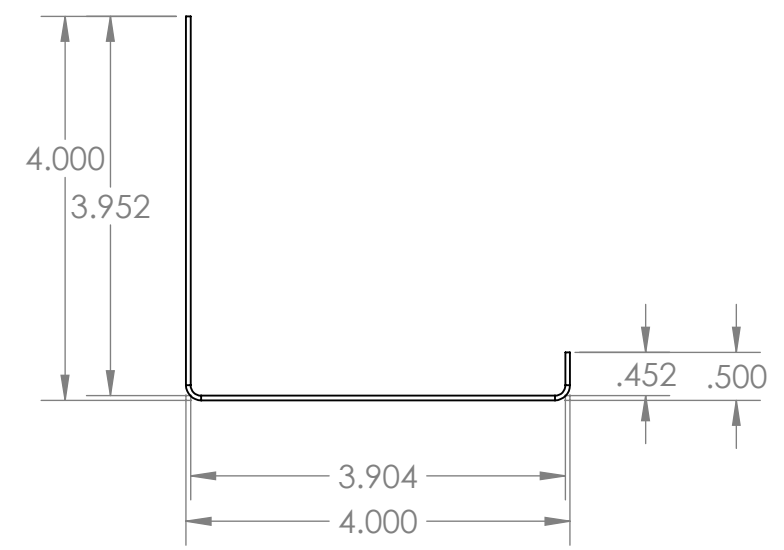
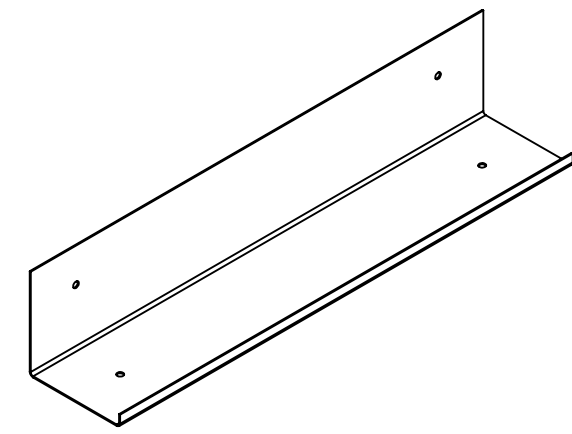
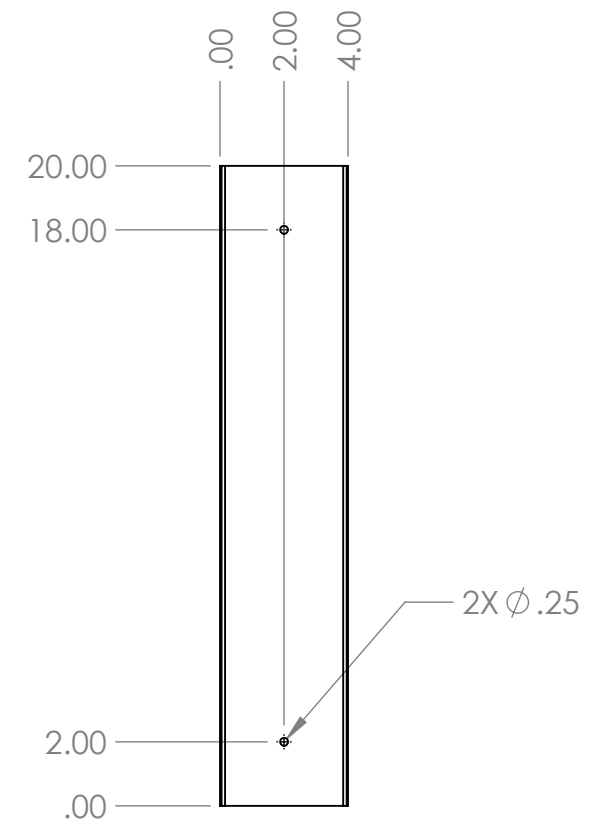
	UNLESS OTHERWISE SPECIFIED:	NAME	DATE	MILLION CONSTRUCTION		
	DIMENSIONS ARE IN INCHES TOLERANCES: FRACTIONAL ± 1/16 ANGULAR: BEND ± 1.0° TWO PLACE DECIMAL ± .06 THREE PLACE DECIMAL ± .062	DRAWN	CG			4/20/2016
PROPRIETARY AND CONFIDENTIAL THE INFORMATION CONTAINED IN THIS DRAWING IS THE SOLE PROPERTY OF STAINLESS SUPPLY. ANY REPRODUCTION IN PART OR AS A WHOLE WITHOUT THE WRITTEN PERMISSION OF STAINLESS SUPPLY IS PROHIBITED.	INTERPRET GEOMETRIC TOLERANCING PER:	CHECKED		TITLE:		
	MATERIAL	ENG APPR.				
	FINISH	MFG APPR.				
	DO NOT SCALE DRAWING	Q.A.				
	COMMENTS:			SIZE	DWG. NO.	REV
				<b>B</b>	61177	
				SCALE: 1:6	WEIGHT: 2.82	SHEET 1 OF 3

8 7 6 5 4 3 2 1

8 7 6 5 4 3 2 1

D  
C  
B  
A

D  
C  
B  
A



DETAIL B  
SCALE 1 : 2



PROPRIETARY AND CONFIDENTIAL  
THE INFORMATION CONTAINED IN THIS DRAWING IS THE SOLE PROPERTY OF STAINLESS SUPPLY. ANY REPRODUCTION IN PART OR AS A WHOLE WITHOUT THE WRITTEN PERMISSION OF STAINLESS SUPPLY IS PROHIBITED.

UNLESS OTHERWISE SPECIFIED:  
DIMENSIONS ARE IN INCHES  
TOLERANCES:  
FRACTIONAL ± 1/16  
ANGULAR: BEND ± 1.0°  
TWO PLACE DECIMAL ± .06  
THREE PLACE DECIMAL ± .062

INTERPRET GEOMETRIC TOLERANCING PER:  
MATERIAL  
SS 304 18G .048"  
FINISH  
2B  
DO NOT SCALE DRAWING

	NAME	DATE
DRAWN	CG	4/20/2016
CHECKED		
ENG APPR.		
MFG APPR.		
Q.A.		

MILLION CONSTRUCTION		
TITLE:		
SIZE <b>B</b>	DWG. NO. 61177	REV
SCALE: 1:6	WEIGHT: 2.30	SHEET 2 OF 3

8 7 6 5 4 3 2 1

D

D

C

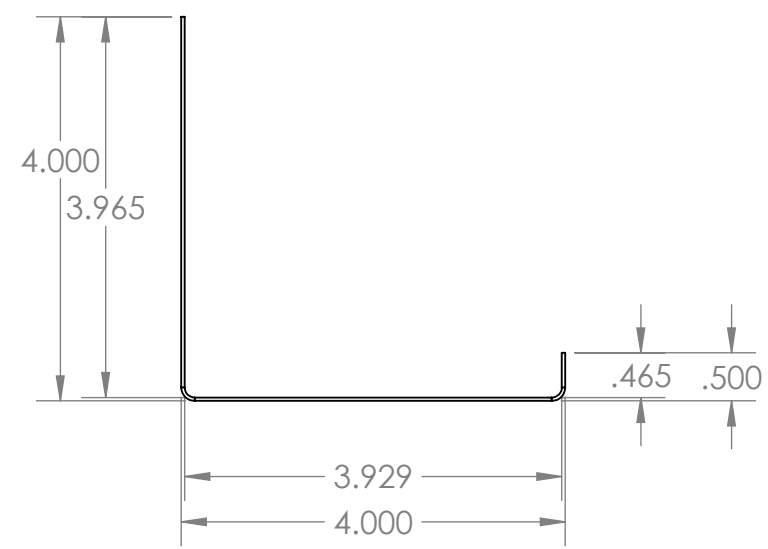
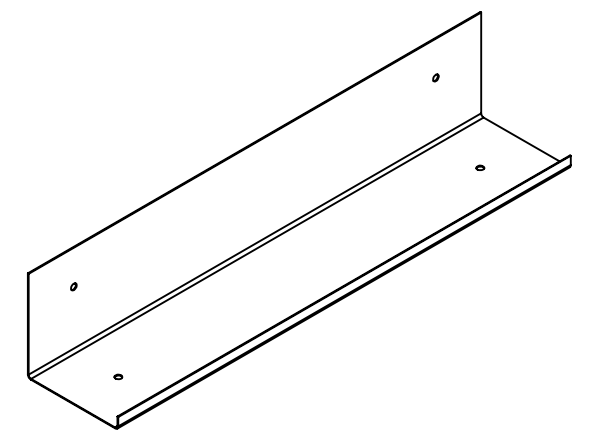
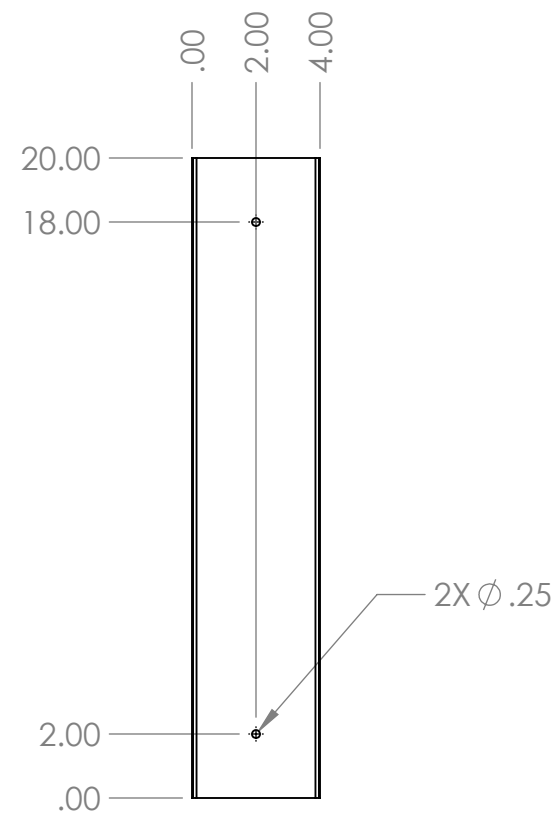
C

B

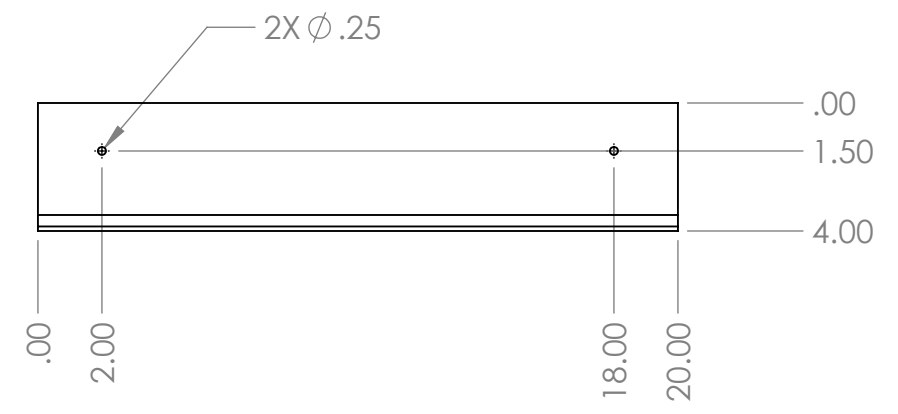
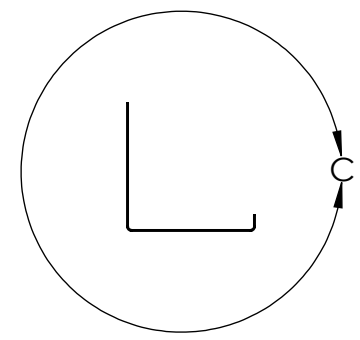
B

A

A



DETAIL C  
SCALE 1 : 2



	UNLESS OTHERWISE SPECIFIED:		NAME	DATE	MILLION CONSTRUCTION			
	DIMENSIONS ARE IN INCHES TOLERANCES: FRACTIONAL ± 1/16 ANGULAR: BEND ± 1.0° TWO PLACE DECIMAL ± .06 THREE PLACE DECIMAL ± .062		DRAWN	CG			4/20/2016	
PROPRIETARY AND CONFIDENTIAL THE INFORMATION CONTAINED IN THIS DRAWING IS THE SOLE PROPERTY OF STAINLESS SUPPLY. ANY REPRODUCTION IN PART OR AS A WHOLE WITHOUT THE WRITTEN PERMISSION OF STAINLESS SUPPLY IS PROHIBITED.	INTERPRET GEOMETRIC TOLERANCING PER:		CHECKED			TITLE:		
	MATERIAL		ENG APPR.					
	FINISH		MFG APPR.					
	DO NOT SCALE DRAWING		Q.A.					
			COMMENTS:			SIZE	DWG. NO.	REV
						<b>B</b>	61177	
						SCALE: 1:6	WEIGHT: 1.71	SHEET 3 OF 3

8 7 6 5 4 3 2 1